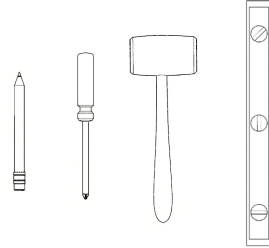


Large Signage Installation

WHAT YOU'LL NEED

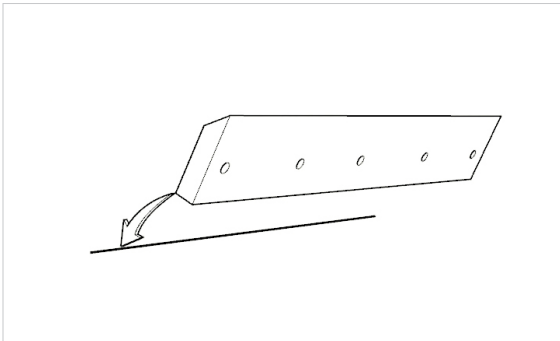
- Custom made sign *included*
- Cleat bar *included*
- Wall anchors *included*
- Screws *included*
- Level
- Pencil
- Mallet/Hammer
- Screwdriver



STEP 1

Mark a level line

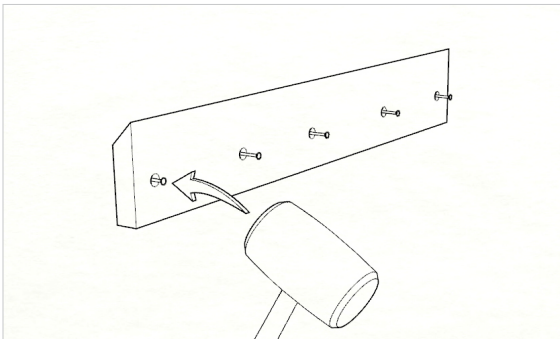
Mark a level, horizontal line on the wall, approximately _____ inches below where the top of the sign should be.



STEP 2

Align hanging cleat

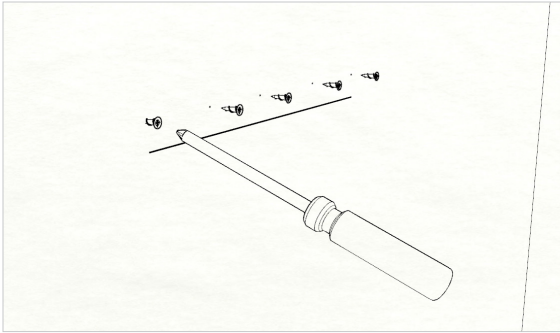
Align the bottom edge of the wall section of the hanging cleat to the line. Follow the guides on the cleat bar indicating which direction is up and facing out.



STEP 3

Mark location of wall anchors

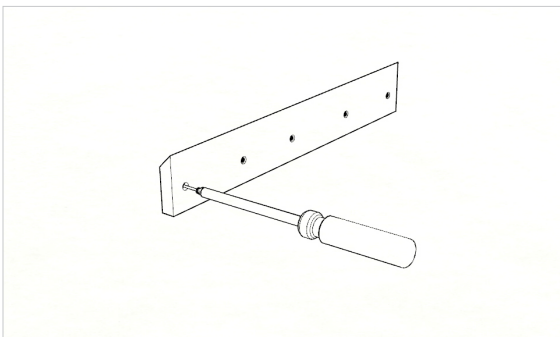
Lightly tap each screw into the holes while firmly holding the cleat bar in place. This marks the location for the wall anchors.



STEP 4

Screw in wall anchors

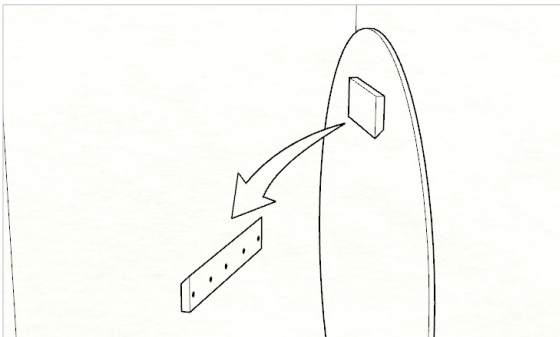
Screw in the wall anchors where indicated by the screw marks.



STEP 5

Install screws

Align the cleat bar to the wall anchors and install the screws. Hand tight is fine, do not over tighten.



STEP 6

Hang sign

Carefully hang the sign on the cleat bar. There should be enough room to adjust left or right. Picking the sign back up and placing it down in a new spot is recommended over trying to slide it along the bar.